



Logitrans
lifting performance



FULLY POWERED PALLET TRUCK



PANTHER MAXI

PANTHER MAXI INOX

MOVER



Optimizes the working conditions

Fully powered pallet trucks are recommended for heavy pallet transportation.

Fully powered pallet trucks have electric lifting, lowering and propulsion, which ensure a high level of efficiency at the work place and a high level of safety for the operators.

We offer two versions of fully powered pallet trucks:

Our Panther Maxi and the Mover.

The Panther Maxi is a powerful pallet truck with a strong construction and high capacity. It also comes in a stainless steel version.

The Mover is a light weight lithium powered pallet truck with smooth operation and very quick battery charge.

Transports heavy pallets safely with no physical efforts

Capacity of 4000 lbs

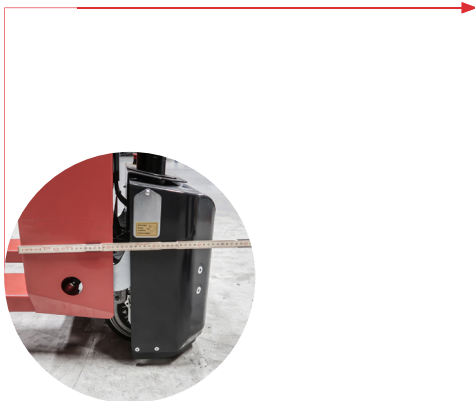
Possible to operate with handle upright

A compact design and strong construction - 100% steel



Handle offset to the left (for tight turns)

Internal charger



A short, electric pallet truck maneuverable in narrow areas



Fine and soft acceleration and very precise movements due to the control system



Elegant design with rounded corners to protect surroundings from damages

Panther Maxi

The Panther Maxi is a powerful pallet truck with focus on efficiency and safety for the operator.

With the fully powered propulsion and a capacity of 4000 lbs, the Panther Maxi is an ideal solution if you need to transport heavy pallets from A to B. It works quickly and efficiently and is a valuable helper in a safe and productive working environment.

Oftentimes, space is an issue around production sites, and it can be difficult to move around and access pallets. The Panther Maxi is designed with respect for this issue, as it has a very compact design and in combination with the possibility to operate with the handle upright, it works very well in confined areas.

The fully powered propulsion ensures limited physical effort for the operator, and he or she can easily and safely transport pallets with heavy loads or fragile items without compromising on own safety or productivity.

We use a special oil for all products, which is tested in cold atmospheres down to at least -10 degrees C.

Panther Maxi Inox

If you need a strong solution for pallet transportation in dry, clean and hygienic environments, the Panther Maxi Inox is a perfect solution.

It is constructed of high-quality stainless steel (AISI 316L for fork chassis) and for the purpose of easy cleaning and high sanitation, it has closed forks and rounded corners.

The surface of the forks is very smooth and easy to wipe off with a cloth.

*Please refer to our Inox brochure for further information.

Mover

The Mover is a lithium powered pallet truck with the capacity of 3300 lbs.

It has a very compact design and is equipped with a maintenance free, light weight lithium battery (7.4 lbs). This makes it very smooth and efficient to operate.

Lithium batteries have a high number of battery cycles, and the battery is very easy to change. In addition, charging is extremely fast - you can recharge the battery in 2,5 hours, with a long operational time between charges.

The ergonomic handle has an integrated pin code panel with LCD display with status indication. This ensures easy operation and control. In addition, the Mover has turtle mode, an emergency button, foot protection, stability wheels and entry rollers to ensures a high level of safety for the operator.

STANDARD FEATURES

- ✓ Motor brake
- ✓ Foot protector



Closed front end in metal for protection

Easy and light weight battery, easy to change (10 lbs.)

Smart handle with belly stop and turtle speed button



Stability wheels



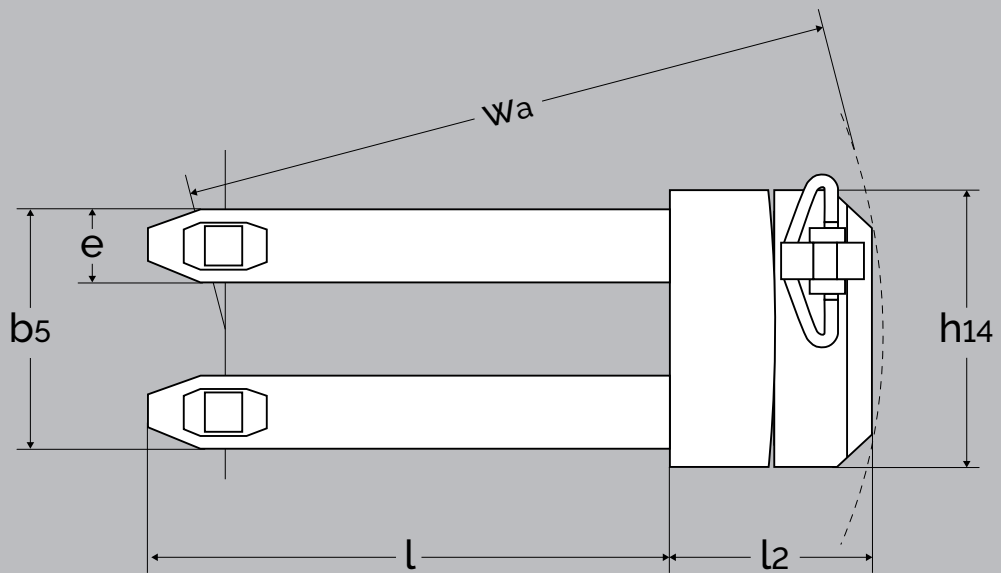
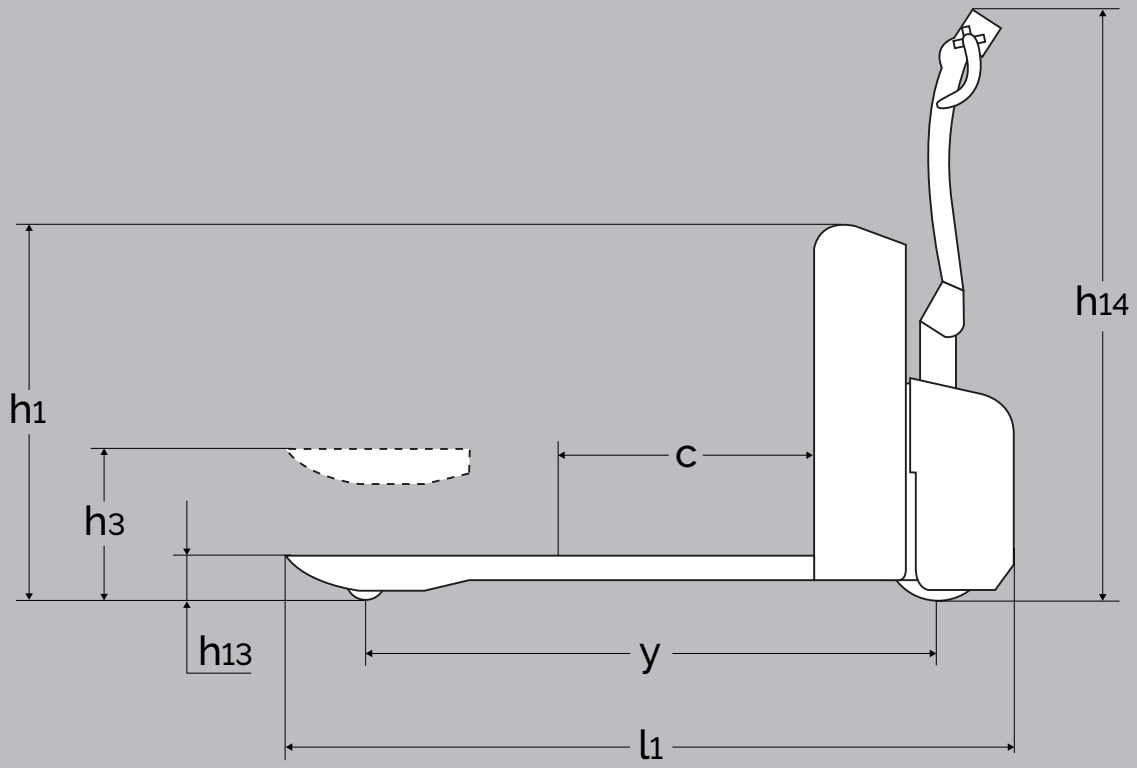
Entry rollers - run smoothly into the pallets



Smart handle with pincode and LCD display



Close rear end in metal for protection



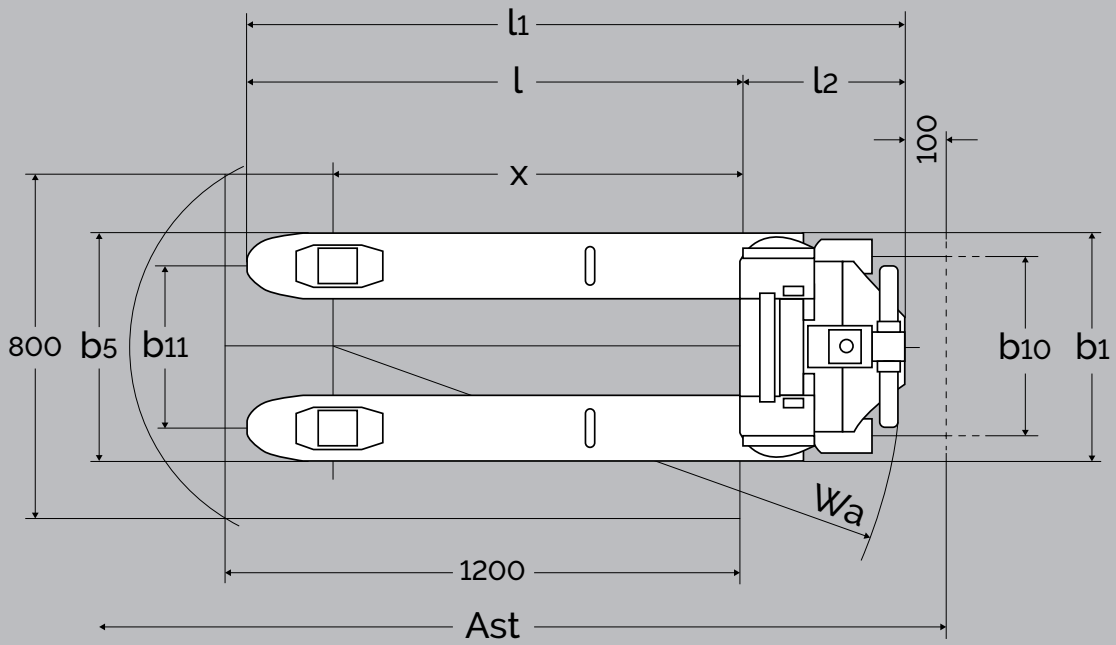
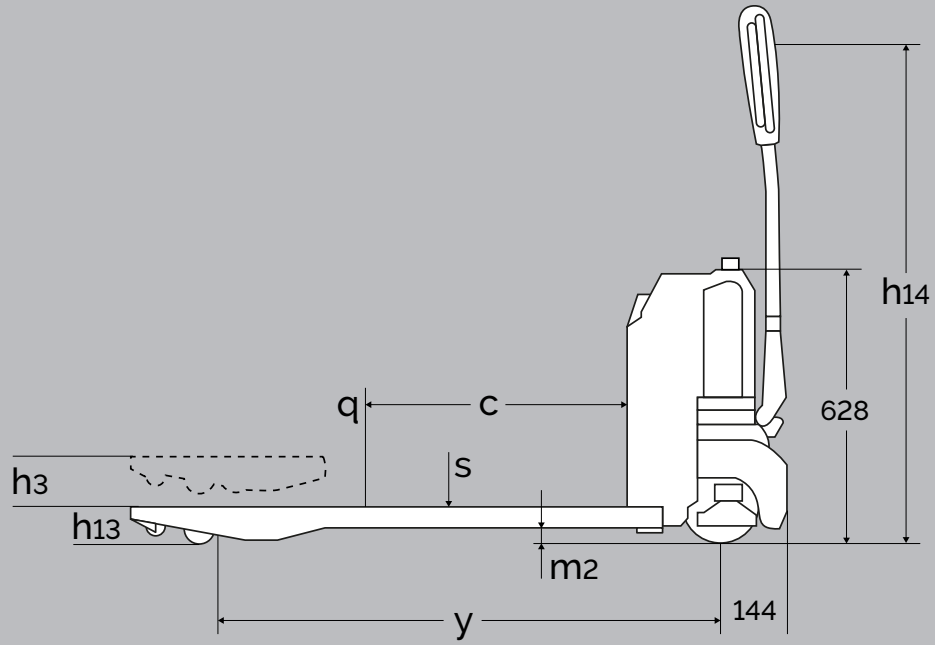
PRODUCT
(measured in inch)

PANTHER MAXI

SPECIFICATIONS - PANTHER MAXI

Capacity in lbs		4000 lbs
Lifting height	h_3	8
Fork length	l	32, 36, 38, 42, 45, 48, 60
Overall height	h_1	32,25
Overall width $b_s = 20.5/27$	b_1	23.5/27
Fork span	b_s	20.5, 27
Fork width	e	6.25
Length without forks	l_2	17.75
Overall length	l_1	17.75 + l
Overall height	h_{14}	51
Lowered height	h_{13}	3.35
Load centre	c	$l/2$
Wheel base (l=45)	y	49.5
Gangway	A_{st}	74.5 (pallet: 47 x 31.5)*
Turning angle of the wheels		210°
Turning radius W_a (l=45)		55.5
Driving motor		24 V 1,2 kW
Driving speed with/without load		3.1/3.7 mph
Pump motor		24 V 1,2 kW
Lifting speed with/without load		1.5"/2" per sec
Lowering speed with/without load		4.5"/1.5" per sec
Gradient performance (3300 lbs)		10%
Weight in lbs with 45" forks (without battery)		451 bs

*Tests show that 63.5" are enough.



PRODUCT (measured in inch)		Mover 21.3 x 45	Mover 27 x 48
Capacity in lbs		3300 lbs	3300 lbs
Lifting height	h_3	7.7	7.7
Fork length	l	45	48
Overall height	h_1	26	26
Overall width	b_1	21.3	27
Fork span	b_5	21.3	27
Fork width	e	6.3	6.3
Length without forks	l_2	15	15
Overall length	l_1	15 + l	15 + l
Overall height	h_{14}	48.4	48.4
Lowered height	h_{13}	3.1	3.1
Load centre	c	$l/2$	$l/2$
Wheel base (l=45/48)	y	46.6	49.4
Gangway	A_{st}	78.7 (pallet: 47 x 31.5)	81.5
Turning angle of the wheels		180°	180°
Turning radius W_a (l=45/48)		52.4	55.1
Driving motor		24 V 0,65 kW	24 V 0,65 kW
Driving speed with/without load		2.85/2.98 mph	2.85/2.98 mph
Pump motor		24 V 0,5 kW	24 V 0,5 kW
Lifting speed with/without load		0.8"/1.0" per sec	0.8"/1.0" per sec
Lowering speed with/without load		2.0"/1.6" per sec	2.0"/1.6" per sec
Gradient performance (3300 lbs)		6%	6%
Weight in lbs (with battery)		276 lbs	286.6 lbs



Quality **Ergonomic** Lifting Equipment

Logitrans US Inc

(888) 345-1270

sales@logitrans.com

www.logitrans.com

