



**Logitrans**  
lifting performance



# PANTHER SILENT

SILENT TRANSPORTATION OF PALLETS



SILENT AND SMOOTH MOVEMENT

IMPORTANT FEATURES

A SUSTAINABLE SOLUTION



## Panther Silent - A unique and perfect solution for silent pallet transportation

The Panther Silent is a manual pallet truck that has its name from its extremely silent and smooth movement.

The pallet truck has special rubber wheels, which derives several valuable benefits for our customers.

First off, the Panther Silent allows you to operate in crowded areas, such as retail and grocery stores, without disturbing others or causing unnecessary noise. The rubber wheels ensure silent and easy transportation - also with heavy loads.

Secondly, the soft rubber wheels - on both steering and fork

wheels - are very gentle to the floor and flagstone layer. This way you avoid the risk of making marks on the floor, to the tiles or other surfaces, while operating a loaded pallet truck.

In addition, the rubber wheels are very robust, which makes the Panther Silent well suited for outdoor operation. The surface of the wheels is unbreakable, and it repels small items like metallic chips, small stones, snow etc. You can operate the pallet trucks in gravel or snow -

nothing will stick to or block the wheels.

Finally, the special rubber wheels make the pallet truck very easy to manoeuvre. The wheels slide smoothly over the surface and with the Panther Silent you can move heavy pallets effortless and silently.

The Panther Silent has a strong construction and a capacity of 2000 kg.

Extremely silent and smooth movement due to special rubber wheels

Gentle to floor and flagstone layer - also with weight during transport

Very high user satisfaction and long operating life

Adjustable fork height / Rounded corners



Silent movement - tested to below 60 dBA



Twin fork wheels to easily change direction



Less strokes to raise to full height (permanent quick lift pump)



Ergonomically correct handle

Tested with up to 46,000 pumps

## Silent and smooth movement

The Panther Silent is ideal for transporting pallets in public areas. The special rubber wheels on both steering and fork wheels ensure very silent and smooth movement - for the operator and the surroundings.

It is tested to below 60 dBA, which equals the noise level of a normal conversation or an air conditioner. This justifies the label "very silent movement".

Due to the many benefits of the Panther Silent we experience a very high user satisfaction with this product, as it solves several issues for the customers.

A smooth and effortless manoeuvrability improves the experience for the operator, and the silent and non-disturbing movement is highly appreciated by the surroundings.

In addition, the soft touch on the floor and flagstone layer, which is often used in customer areas, reduces the risk of making marks to the surface, while transporting goods.

*We use a special oil for all products, which is tested in cold atmospheres down to at least -10 degrees C.*



## Important features

Besides the special rubber wheels, the pallet truck has other benefits, which all contribute to the high user satisfaction of the product:

- Strong construction
- Minimal friction of all movable parts
- Tight tolerance
- Low truck weight
- Tight turning angle

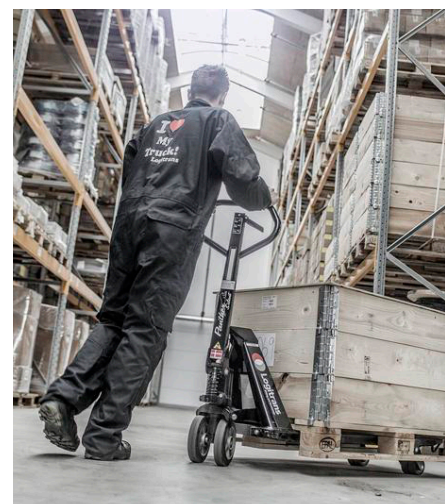


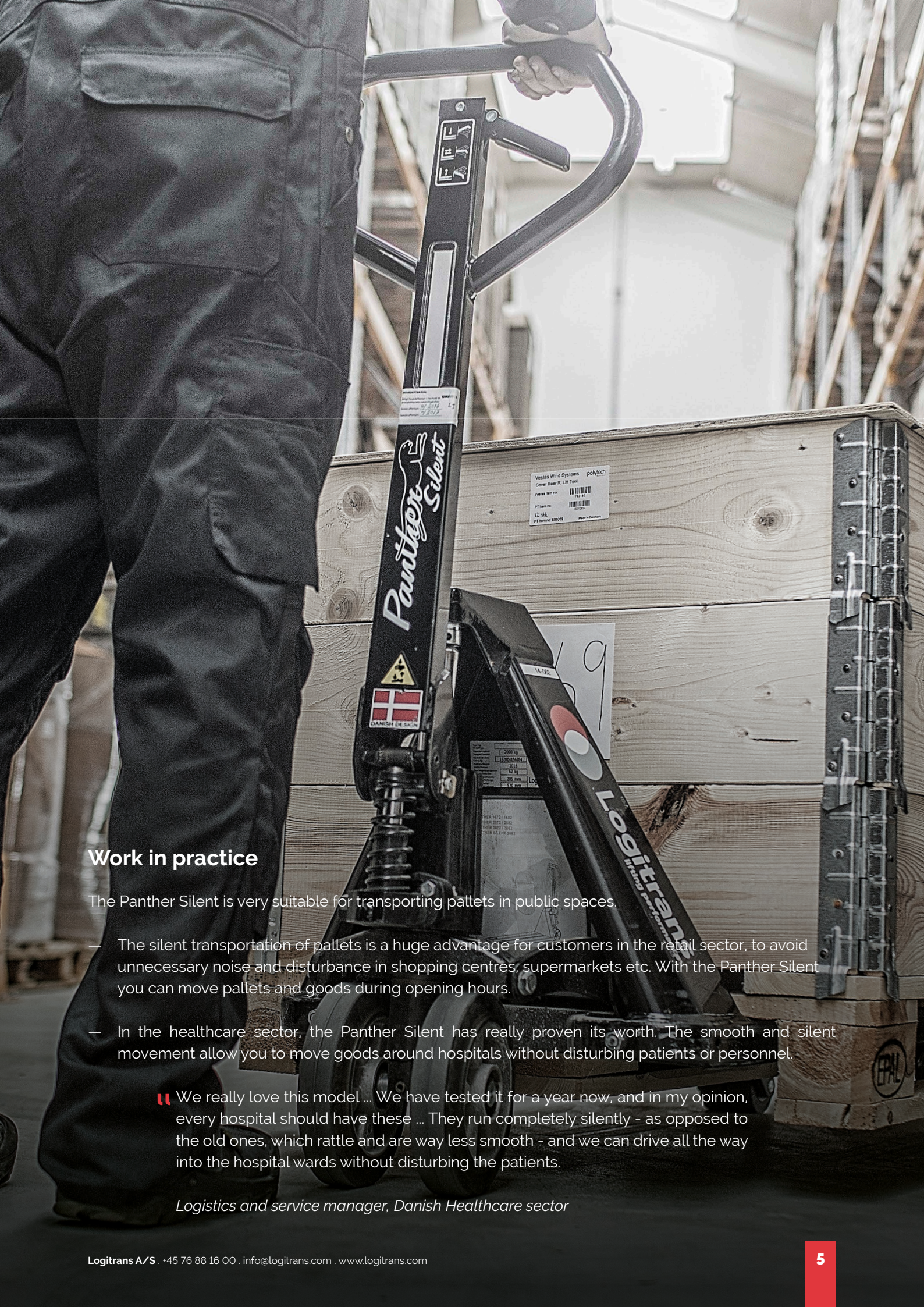
## A sustainable solution

High quality is one of the ground pillars of our business and a promise to our customers. Our products have strong constructions and long operating lives - and the Panther Silent is no exception. We have examples of pallet trucks from the 1980s still operating.

The Panther Silent is tested with up to 46,000 lifts and the maintenance costs are at a minimum. This ensures a sustainable product for your working environment.

In addition, the robust surface and soft touch of the rubber wheels on your floor or flagstone layer, reduce the risk of damaging the floor, while moving pallets and goods around. This adds to a nice and presentable working environment - and keeps your maintenance costs down.





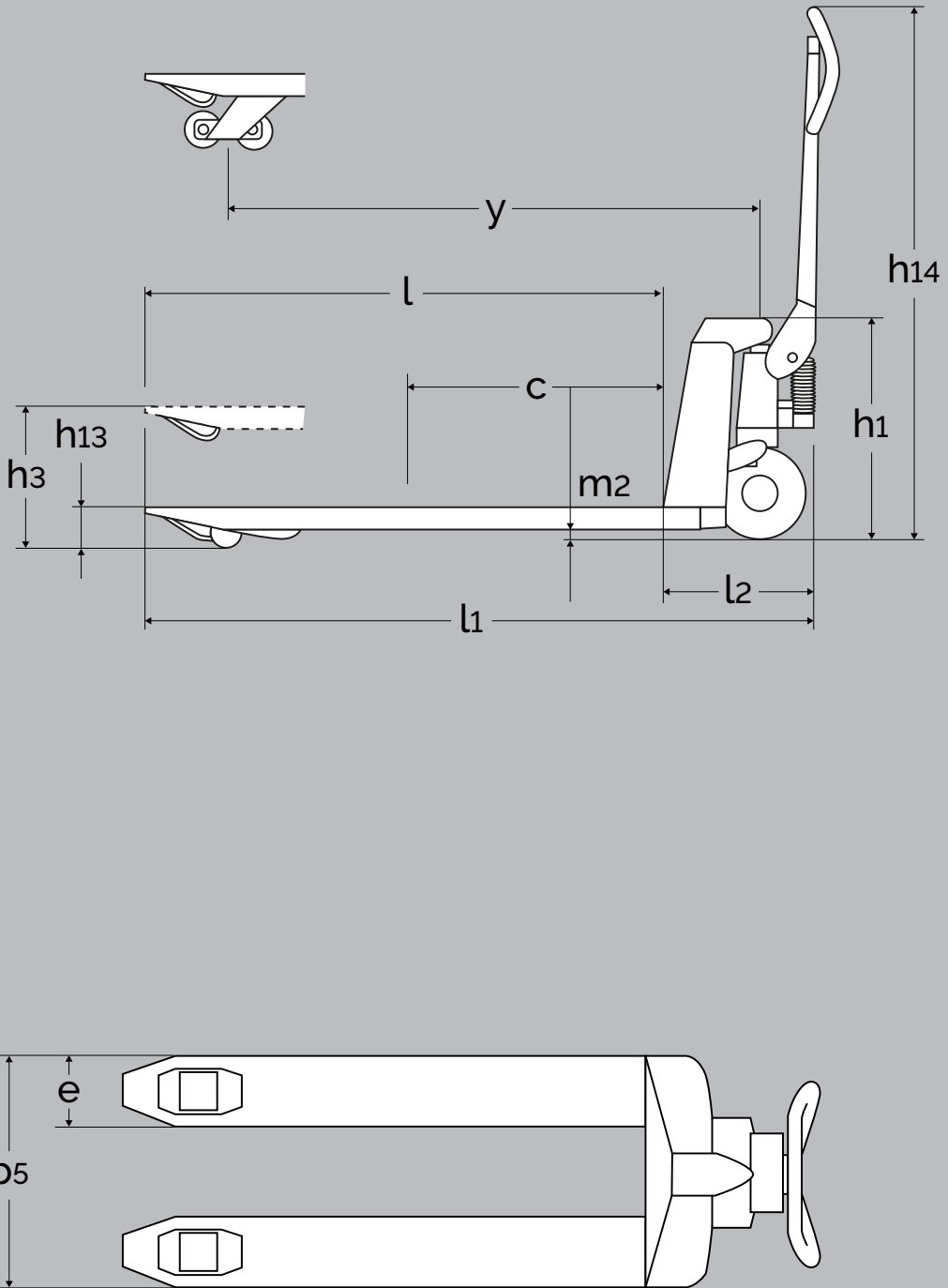
## Work in practice

The Panther Silent is very suitable for transporting pallets in public spaces.

- The silent transportation of pallets is a huge advantage for customers in the retail sector, to avoid unnecessary noise and disturbance in shopping centres, supermarkets etc. With the Panther Silent you can move pallets and goods during opening hours.
- In the healthcare sector, the Panther Silent has really proven its worth. The smooth and silent movement allow you to move goods around hospitals without disturbing patients or personnel.

“ We really love this model ... We have tested it for a year now, and in my opinion, every hospital should have these ... They run completely silently - as opposed to the old ones, which rattle and are way less smooth - and we can drive all the way into the hospital wards without disturbing the patients.

*Logistics and service manager, Danish Healthcare sector*



**PRODUCT**  
(measured in mm))

**Panther Silent**  
**PS2082**

**PANTHER SILENT**

Capacity in kg		2000 kg
Lifting height	$h_3$	$h_{13} + 120$
Fork length	$l$	600, 810, 915, 970, 1066, 1140, 1220, 1520, 1800, 2000, 2400*
Overall height	$h_1$	$h_{13} + 412$
Fork span	$b_5$	520, 680
Length without forks	$l_2$	335
Overall length	$l_1$	$l + 335$
Fork width	$e$	160
Wheelbase	$y$	$l + 25$
Overall height	$h_{14}$	1170
Lowered height - adjustable	$h_{13}$	85 to 93
Load centre	$c$	$l/2$
Ground clearance	$m_2$	$h_{13} - 47$
Turning angle of the wheels		220°
Fork wheels - twin		Ø85 x 88
Steering wheel		Ø200 x 50
Weight		62 kg (520 x 1140)

\*Reduced capacity 1500 kg.



## Ergonomic Lifting Equipment

**Logitrans A/S**

+45 76 88 16 00

info@logitrans.com

www.logitrans.com

